

## Features

- Without overflow.
- For use in nonoverflow applications.

## Material

- Solid-brass construction for durability and reliability.
- KOHLER finishes resist corrosion and tarnishing.

## Recommended Products/Accessories

K-23726 Drain treatment  
K-23723 Faucet cleaner



## Codes/Standards

ASME A112.18.2/CSA B125.2

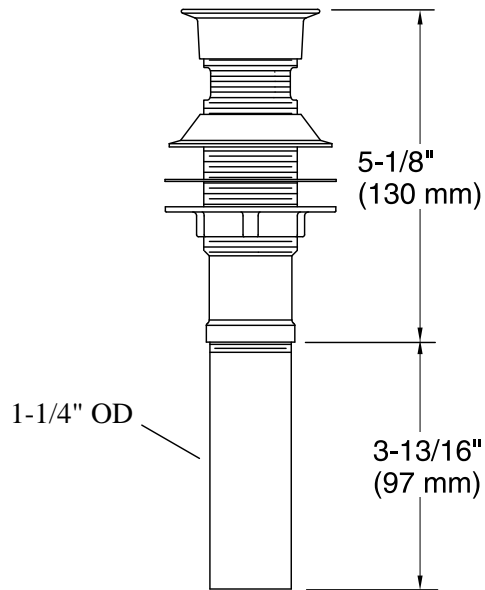
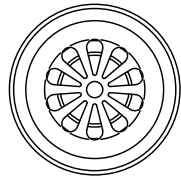
## KOHLER® One-Year Limited Warranty

See website for detailed warranty information.

## Available Colors/Finishes

*Color tiles intended for reference only.*

Color	Code	Description
	CP	Polished Chrome
	SN	Vibrant® Polished Nickel
	AF	Vibrant® French Gold
	PB	Vibrant® Polished Brass
	PGD	Vibrant® Moderne Polished Gold
	BGD	Vibrant® Moderne Brushed Gold
	BN	Vibrant® Brushed Nickel
	VS	Vibrant® Stainless
	BV	Vibrant® Brushed Bronze
	2BZ	Oil-Rubbed Bronze
	BL	Matte Black
	2MB	Vibrant® Brushed Moderne Brass
	TT	Vibrant Titanium



### Technical Information

All product dimensions are nominal.

### Notes

Install this product according to the installation guide.